

# Line 8000

## AZ8000

### *New online trace Nitrogen in Argon/Helium analyzer*

The AZ8000 is the new standard for trace Nitrogen. Its unique design brings reliability and accuracy needed for such measurement. Its own Plasma Emission Detector System extends the lifetime of the cell. This Duty Cycle Controlled System has the property to decrease contamination and coating inside the plasma cell giving a more efficient, reliable and accurate analyzer.



#### FEATURES

- Unique Plasma Emission Detector design based on a Duty Cycle Controlled System
- Bootloader integrated for software update via Ethernet
- Large scale measurement
- 4-20 mA output as standard
- Range Identification Relay
- Maintenance free
- LAN/Web control
- Micro-valve for very low dead volume and fast purging time
- Low sample consumption
- 3U cabinet

#### APPLICATIONS

- Air separation unit
- Cryogenic truck loading station
- Speciality gas laboratories
- Process control
- Argon purification plant
- Steel Industries
- Chemical plants
- Welding gas control
- Helium liquification plants
- Gas management system
- Semiconductor manufacturing
- Quality control for truck fills and gas cylinders

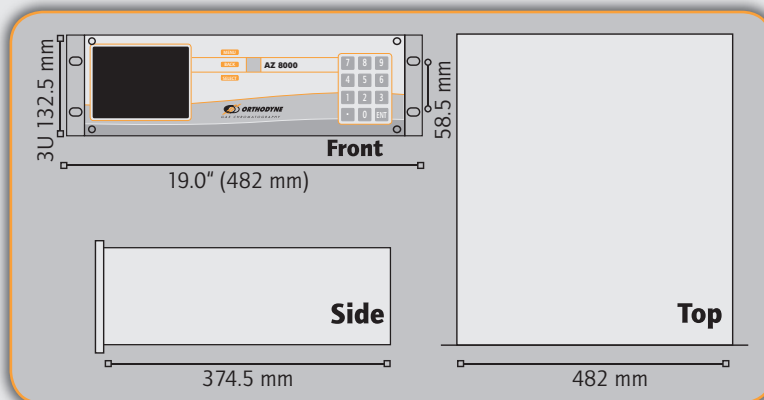
## SPECIFICATIONS AZ8000

|                          |  |  |
|--------------------------|--|--|
| Detector type            | Plasma Emission Detector design based on a Duty Cycle Controlled System  |  |
| Range                    | 0 – 1 ppm, resolution to 10 ppb<br>0 – 10 ppm, resolution to 0.1 ppm<br>0 – 100 ppm, resolution to 1 ppm<br>Other range possible up to 10000 ppm   |  |
| Repeatability            | < 1 % full scale   |  |
| Accuracy                 | Better than ± 1% full scale  |  |
| Standard features        | <ul style="list-style-type: none"> <li>• Manual or autoranging (user selectable)</li> <li>• Microprocessor controlled</li> <li>• 5.6" TFT intelligent LCD module with Touch Screen</li> <li>• Self diagnosis system with auto-resolve alarm</li> <li>• LAN/Web control</li> <li>• 4-20 mA isolated output</li> </ul> | <ul style="list-style-type: none"> <li>• Alarm Historic</li> <li>• Safe calibration procedure to avoid any bad calibration</li> <li>• Digital outputs for remote monitoring: (all dry relay contacts) <ul style="list-style-type: none"> <li>- System status (1 output)</li> <li>- Range in use (3 output)</li> <li>- Calibration in use (1 output)</li> </ul> </li> </ul> |
| Options                  | <ul style="list-style-type: none"> <li>• Internal sampling system for zero, span and sample with remote capabilities</li> </ul>  | <ul style="list-style-type: none"> <li>• Serial port: RS-232/422/485/ Profibus</li> <li>• 2 alarm outputs (user programmable set point)</li> </ul>   |
| Gas connections          | Sample: 1/8" compressing fittings  |  |
| Vent                     | 1/8" compressing fitting   |  |
| Calibration gas          | Zero: PUR8000 purified gas (Getter)  |  |
| Span                     | 8.0 to 9.5 ppm N <sub>2</sub> in Argon   |  |
| Sample flow requirements | 15 to 200 sccm   |  |
| Flow accuracy            | 0 to 200 sccm ± 1% full scale  |  |
| Max operating pressure   | 30 PSIG (207 kPAG)   |  |
| Min operating pressure   | 4 PSIG (28 kPAG) optional 1 PSIG (7 kPAG)  |  |
| Operating temperature    | 10 °C to 45 °C   |  |
| Supply                   | 115 VAC, 50 – 60 Hz or 220 VAC, 50 – 60 Hz   |  |
| Power consumption        | Maximum 40 watts   |  |
| Drift                    | < ± 1% over 24 hours   |  |
| Weight                   | 29 lbs (13 kg)   |  |

## AZ8000 ORDERING INFORMATION

| -XXX              | -X              | -X                                       | -XXX                 |
|-------------------|-----------------|--|----------------------|
| Operating Voltage | A: Alarm option | S: integrated sampling system            | Serial communication |
| 120 : 120 volts   |                 | S1 : 1 sample inlet                      | RS2: RS-232          |
| 220: 220 volts    |                 | S2 : 2 sample inlets                     | RS4: RS-485          |
|                   |                 | SR1: 1 sample inlet with remote control  | PFB: Profibus        |
|                   |                 | SR2: 2 sample inlets with remote control |                      |

## Dimensions



Rue des Technologies, 23 - B-4432 ALLEUR - BELGIUM  
 Phone : +32-4-247 91 06 – Fax : +32-4-263 09 79  
 E-Mail : sales@orthodyne.be - www.orthodyne.be